



# AT-AM3-3050T-15XC

Active Multiplier x3, 30-50GHz Pout=+15dBm

## Active X3, 30-50GHz Broadband, High Power Pout=+15dBm, 2.4mm



### Description:

AT-AM3-3050T-15XC is a broadband X3 frequency multiplier. The multiplier has an input frequency of 10-17 GHz with a typical output +15dBm from 30-50GHz.

The integrated input and output buffers deliver high output power at a low drive level. The multiplier also has a typical harmonic suppression. The input port is SMA female, and the output is 2.4mm Female. Other port configurations are available under different requirement.

More information, please visit [www.atmicrowave.com](http://www.atmicrowave.com)

### Feature

- ✓ Frequency: 30-50GHz
- ✓ Pout: +15dBm typical
- ✓ Input: 10-17GHz
- ✓ Low Harmonics

### Application

- ✓ 28/39GHz 5G Communication
- ✓ Test Equipment
- ✓ ROF (RF Over Fiber)
- ✓ Radar System

### Electronical Specifications:

Parameter	Min	Typical	Max
Input Frequency	10GHz		17GHz
Input Power	+2	+5dBm	+8dBm
Multiplier Factor		X3	
Output Frequency	30GHz		50GHz
Output Power	+13dBm	+15dBm	
X1/X3 Harmonic Suppression		-20dBc	
Drain Voltage		+5V	+8V
Current		200mA	300mA
Spec Temp		25C	





# AT-AM3-3050T-15XC

Active Multiplier x3, 30-50GHz Pout=+15dBm

## Mechanical Information

Item	Description
Input Port	SMA Female
Output Port	2.4mm Female
Case Material	Copper
Finish	Gold Plated
Weight (Without Heatsink)	80g
Size:	See outline

## Absolute Maximum Ratings Table

Parameter	Value
Drain Supply	+13V
RF Input Power	+15dBm
Operating Temperature	-40 to +85C
Storage Temperature	-55 to +125C

### Notes:

- ✓ Datasheet may be changed according to update of MMIC, Raw materials , process, and so on.
- ✓ This data is only for reference, not for guaranteed specifications.
- ✓ Please contact AT Microwave team to make sure you have the most current data.
- ✓ Always pay attention to the temperature of the case, heatsink and fan are required if case temperature exceeds over 50C.

## Part Number Selection Guide

Item	Description
PN	Stand Module with DC Power Supply
<b>PN-LCBT</b>	<b>L</b> ow Cost, <b>C</b> ompact <b>B</b> ench- <b>T</b> op, +220V Supply with AC/DC Adapter



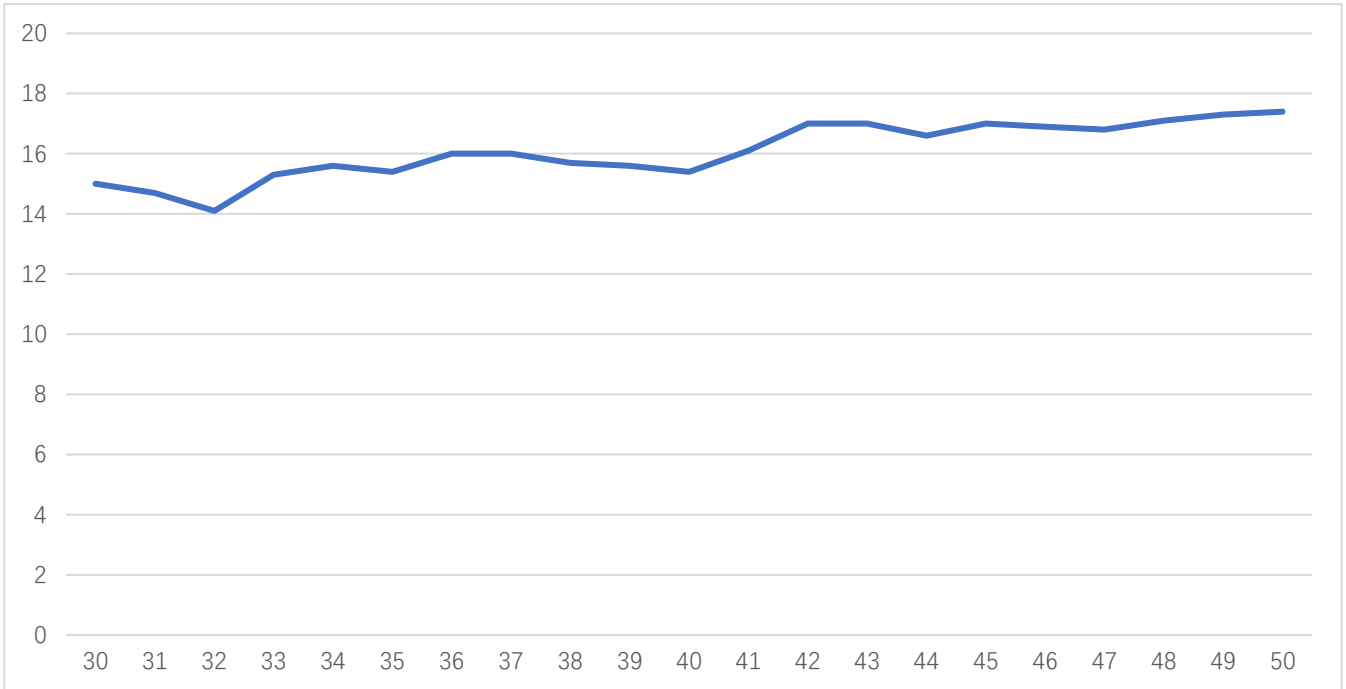


# AT-AM3-3050T-15XC

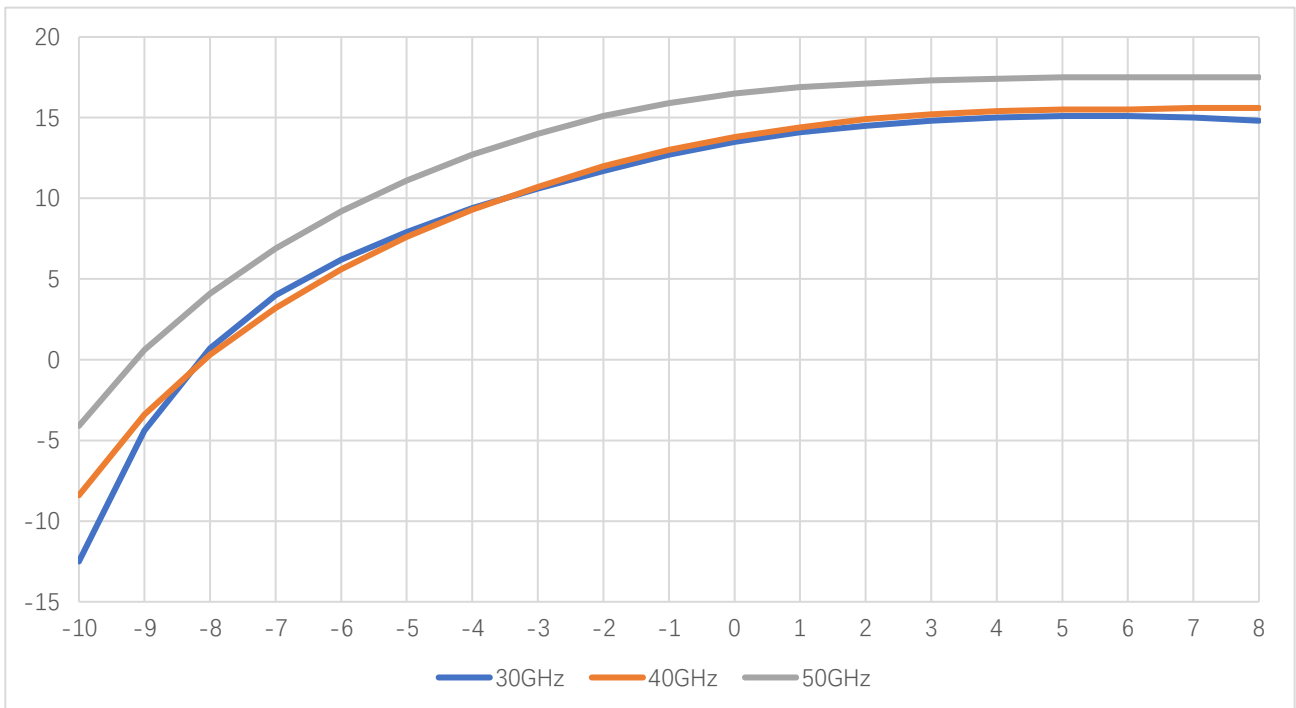
Active Multiplier x3, 30-50GHz Pout=+15dBm

## Test Data (25C)

Please note that test curves will vary slightly from unit to unit.

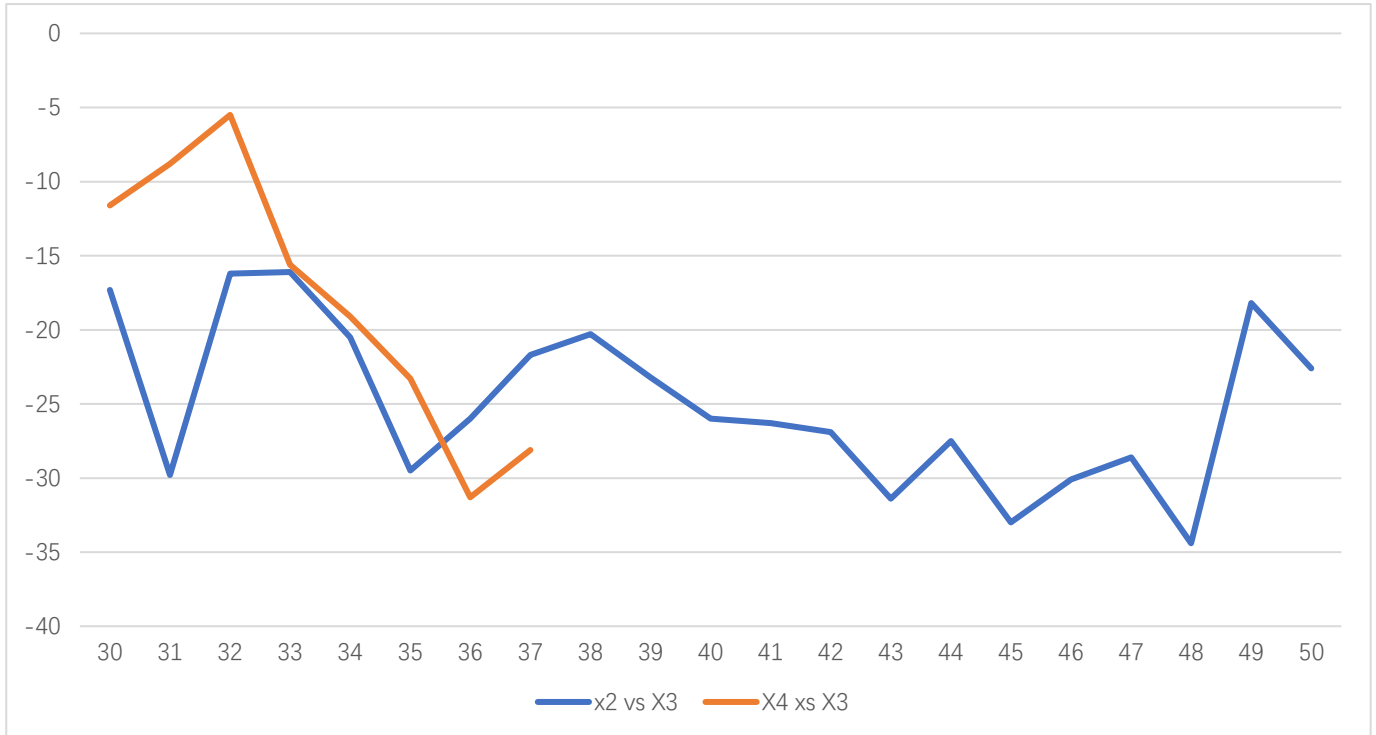


Pout vs Frequency



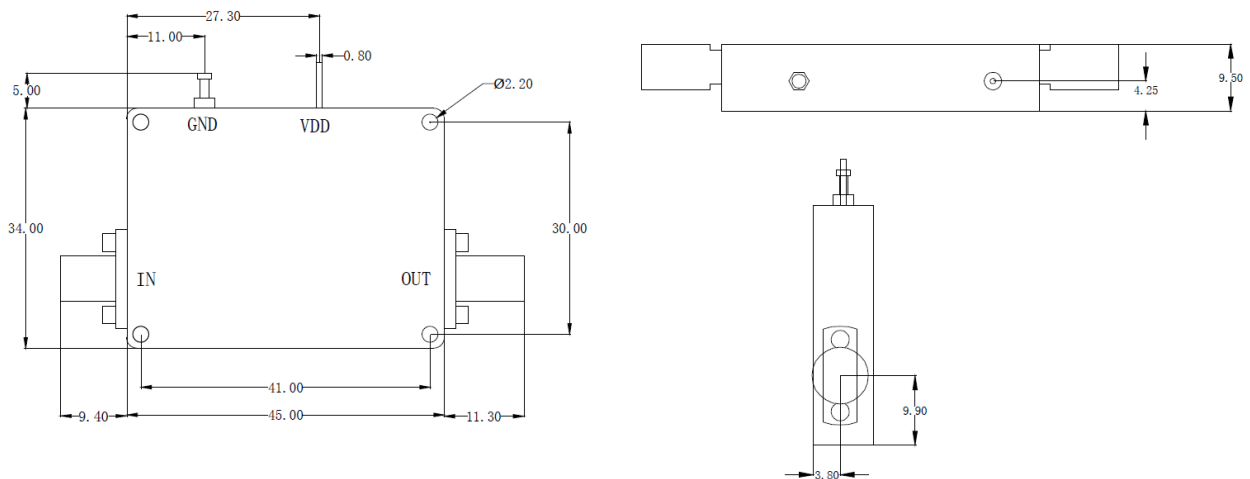
Pout vs Pin





Harmonics vs X3 Pout

## Dimension: (Unit:mm)



	<26.5GHz	<40GHz	<50GHz	<67GHz
Connector	SMA	2.92mm	2.4mm	1.85mm
Length of a	9.4mm	9.5mm	10.8mm	11.3mm

Note: Female Default. Contact with us for other types.

Heat Sink Required During Operation if case Temp higher than 50C

